

1.5", 2", & 2.5" General Service Gauges



Application Fields: Hydraulic & Pneumatic Systems • Compressors • Pumps • Regulators

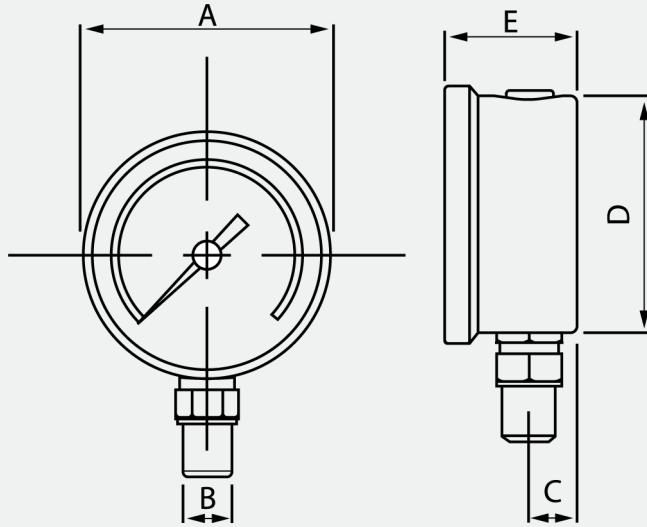
Description

Our general service gauge provides an affordable and versatile option for use in non-corrosive environments such as air, gas, oil, and water. The highly customizable gauge comes in a variety of pressure ranges and connection types to suit a wide field of applications.

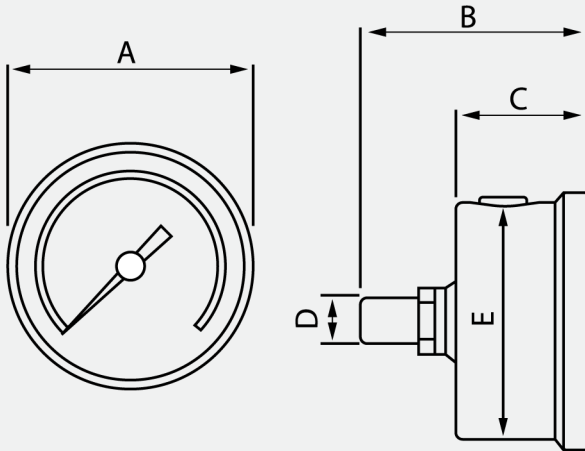
Specifications

- NSF Listed (Select Pressure Ranges)
- 1.5", 2" or 2.5" Dial Diameter
- Pressure Range: 0 up to 4000 psi or Vacuum/Compound 30"Hg up to 150 psi. Can do dual or triple scale with Bar, kPa, feet H₂O, and others
- Socket and Bourden Tube Material: Standard Brass* or Lead Free Brass
- Standard Black Painted Steel Case
- Customization for the Face and Needle
 - Standard Black for Single Scale
 - Black/Blue for Dual Scale on White dial
 - Other colors available for both markings and dial
 - Black, White or Red needle; ask for other options
- Customize with your logo, color bands, or silver ring around the lens
- Polycarbonate or Glass Lens
- Bottom/Low or Center back connection
- U-Clamp, Front or Rear Flange mounting
- Threads: 1/8" NPT or 1/4" NPT with optional restrictor

Technical Drawings



General Service Gauge Bottom Low			
A	Φ 1.63"	Φ 2.13"	Φ 2.64"
B	1/8" or 1/4" NPT	1/8" or 1/4" NPT	1/8" or 1/4" NPT
C	0.35"	0.39"	0.39"
D	Φ 1.5"	Φ 2.0"	Φ 2.5"
E	1.0"	1.14"	1.22"



General Service Gauge Center Back			
A	Φ 1.63"	Φ 2.13"	Φ 2.64"
B	1.56"	1.9"	1.85"
C	1.0"	1.14"	1.22"
D	1/8" or 1/4" NPT	1/8" or 1/4" NPT	1/8" or 1/4" NPT
E	Φ 1.5"	Φ 2.0"	Φ 2.5"

Available Pressure Ranges*

Pressure Range Vacuum/ Compound in Hg <i>Also available in cmHG</i>	Pressure Ranges in PSI*	
30"Hg - 0 psi	0 - 15 psi	0 - 400 psi
30"Hg - 15 psi	0 - 30 psi	0 - 600 psi
30"Hg - 30 psi	0 - 60 psi	0 - 1000 psi
30"Hg - 60 psi	0 - 100 psi	0 - 1500 psi
30"Hg - 150 psi	0 - 160 psi	0 - 2000 psi
	0 - 200 psi	0 - 3000 psi
	0 - 300 psi	0 - 4000 psi

*Also available in Bar, kPa, feet H₂O
*Contact for greater ranges than shown