

## 1" Pocket Thermometer



Application Fields: Industrial • Refrigeration • Kitchen, Cooking & Food • Inspection & Validation

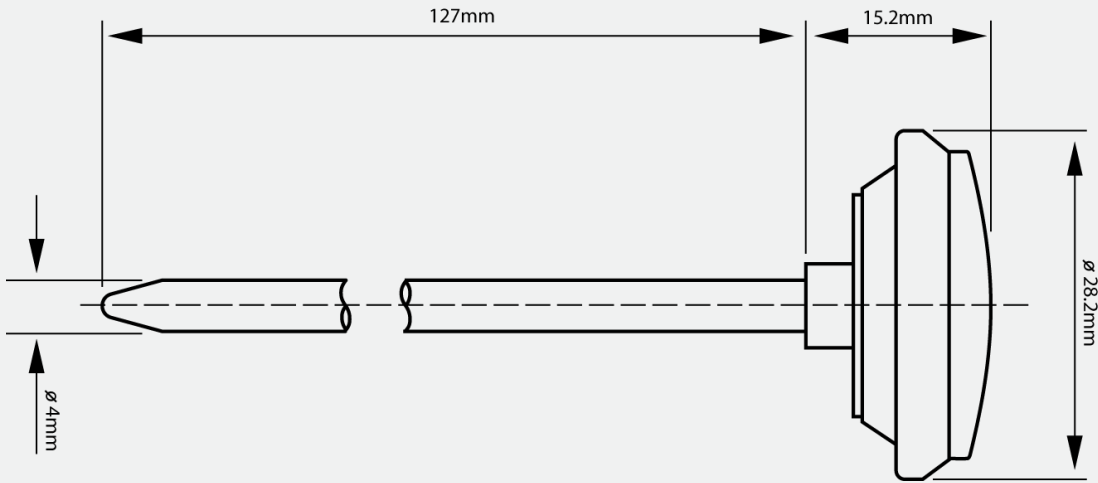
### Description

This pocket thermometer comes standard with a hermetically sealed 304 stainless steel case and a 5" protective sleeve for the stem. It is conveniently carried in a pocket and the clip doubles as a handle for safer temperature handling. The thermometer is easily recalibrated as needed using the hex nut at the back of the case.

### Specifications

- NSF Listed
- Convex Lens for easier readability
- Customizable Dial Face and Needle
- 1" dial size
- 304 stainless steel, hermetically sealed case
- Center back connection
- Threadless stem with protective sheath connection
- 5" long stem with  $\Phi$  0.16"
- Choice of black or red sheath
- Standard Black markings on white dial face; other colors available upon request
- Red or Black Needle; contact us for other options
- Thermometer is +/- 1.5% of range

### Technical Drawing



### Available Temperature Ranges\*

Range in Fahrenheit	Range in Celsius	Divisions
-40° to 65°	-40° to 20°	2°F, 1°C
-40° to 120°	-40° to 50°	2°F, 1°C
0° to 140°	-20° to 60°	1°F, 0.5°C
0° to 250°	-20° to 120°	2°F, 1°C
20° to 220°	-5° to 110°	2°F, 2°C
25° to 125°	-5° to 50°	1°F, 1°C
30° to 240°	0° to 115°	2°F, 2°C
50° to 300°	10° to 150°	2°F, 1°C
50° to 500°	10° to 260°	5°F, 2°C
50° to 550°	10° to 260°	5°F, 5°C
150° to 750°	65° to 300°	10°F, 5°C
200° to 1000°	100° to 540°	10°F, 5°C

\*Contact for greater ranges than shown