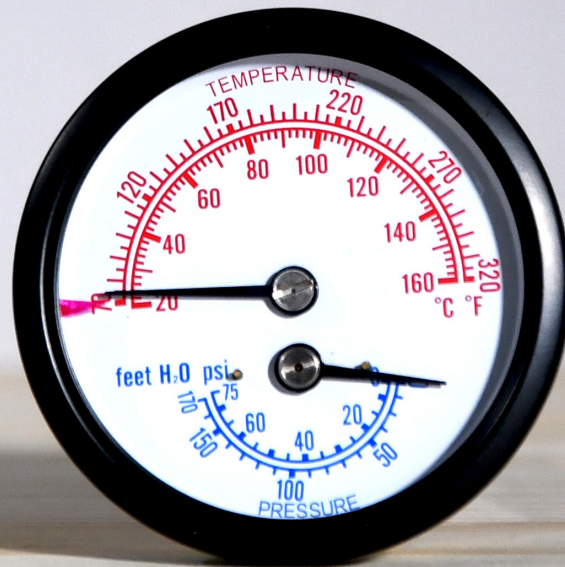


2.5" Standard Tridicator



Application Fields: Boiler Applications

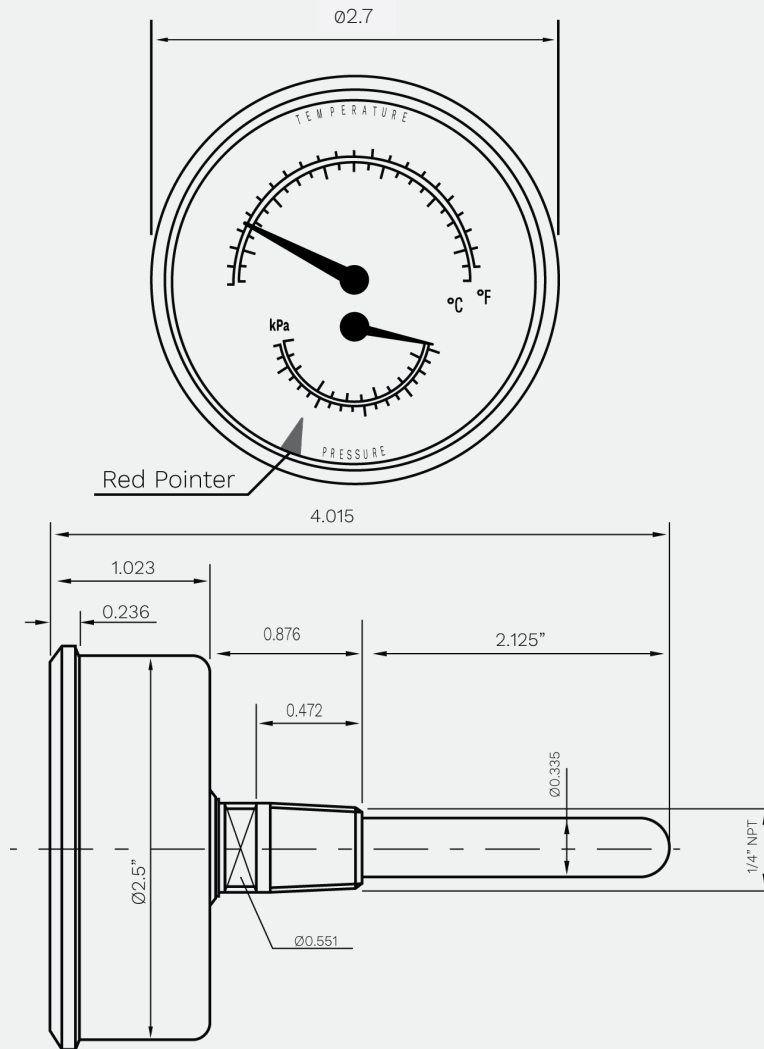
Description

When measurements for both temperature and pressure are required, keep things simple by using one gauge that does both. One access point is a bonus! These instruments are ideal for use on all types of hot water systems and are designed especially for boilers.

Specifications

- 2.5" Dial Diameter
- Black painted stainless steel, plastic case
- Stainless steel front or rear flange optional
- Polycarbonate, glass, acrylic lens
- Brass (standard), lead free brass parts
- Center back, lower back, bottom/low mounting options
- 1/8", 1/4" and 1/2" NPT
- Painted aluminum dial face
- Red temperature scale
- Blue pressure scale markings on white background
- Black pointers
- Face and pointer can be customized

Technical Drawings



Available Pressure Ranges*

Pressure Ranges in PSI*	
0 - 50 psi	0 - 160 psi
0 - 60 psi	0 - 200 psi
0 - 75 psi	0 - 225 psi
0 - 90 psi	0 - 250 psi
0 - 100 psi	0 - 300 psi

*Also available in Bar, kPa, feet H₂O
 *Contact for greater ranges than shown