

3" Bimetal Thermometer



Specifications

- NSF Listed
- 3" dial size
- Standard External Recalibration
- Customizable with your logo
- Customizable Dial Face and Needle
 - Black, White, or Red Needle – ask us for other options
 - Standard 304 Stainless Steel or 316 Stainless Steel Case
 - Standard Black/Blue markings on White Dial Face.
 - Other colors available for both markings and dial
- Polycarbonate or Glass Flat lens
- Variety of Mounting Options
- Polycarbonate or Glass Flat lens
- Adjustable, bottom/low and center back mounting options
- Standard Φ 0.25" for threads, minimum 1" and up to 24"
 - Custom diameters and lengths available
- Thermometer accuracy is +/- 1.5% of range
- External recalibration screw, flange for panel mounting, liquid (silicone) filled and thermowell options
- Hollow thread for shorter stem lengths

Application Fields: Industrial Devices • Heating • Sanitation
Restaurant • Boiler

Description

One of our most popular sizes, the 3" bimetal thermometer is made from 304 stainless steel, making it perfect for consumer, laboratory, and industrial applications. It can withstand corrosive environments and is hermetically sealed to protect against moisture and dust.

Mounting Options

Adjustable



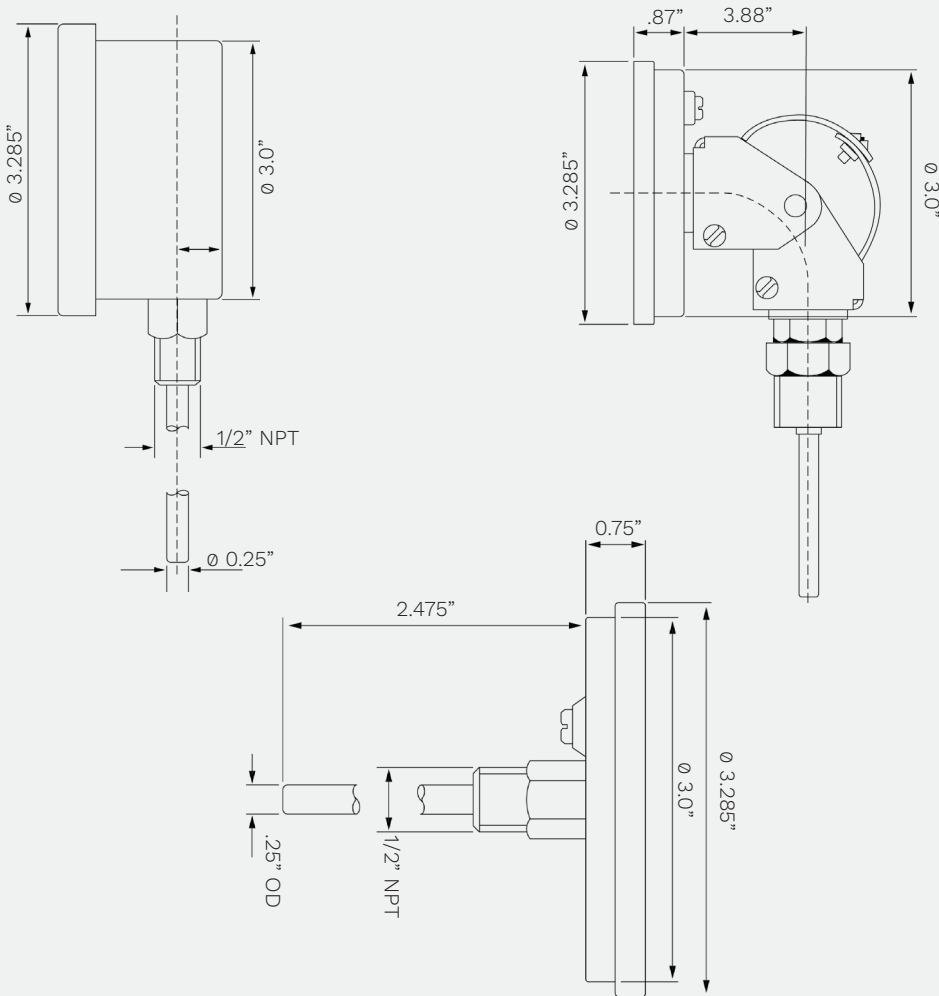
Center Back



Bottom Low



Technical Drawings



Available Temperature Ranges*

Range in Fahrenheit	Range in Celsius	Divisions
-40° to 65°	-40° to 20°	2°F, 1°C
-40° to 120°	-40° to 50°	2°F, 1°C
0° to 140°	-20° to 60°	1°F, 0.5°C
0° to 250°	-20° to 120°	2°F, 1°C
20° to 220°	-5° to 110°	2°F, 2°C
25° to 125°	-5° to 50°	1°F, 1°C
30° to 240°	0° to 115°	2°F, 2°C
50° to 300°	10° to 150°	2°F, 1°C
50° to 500°	10° to 260°	5°F, 2°C
50° to 550°	10° to 260°	5°F, 5°C
150° to 750°	65° to 300°	10°F, 5°C
200° to 1000°	100° to 540°	10°F, 5°C

*Contact for greater ranges than shown