

3" Standard Tridicator



Application Fields: Boiler Monitoring • Hot Water Heater

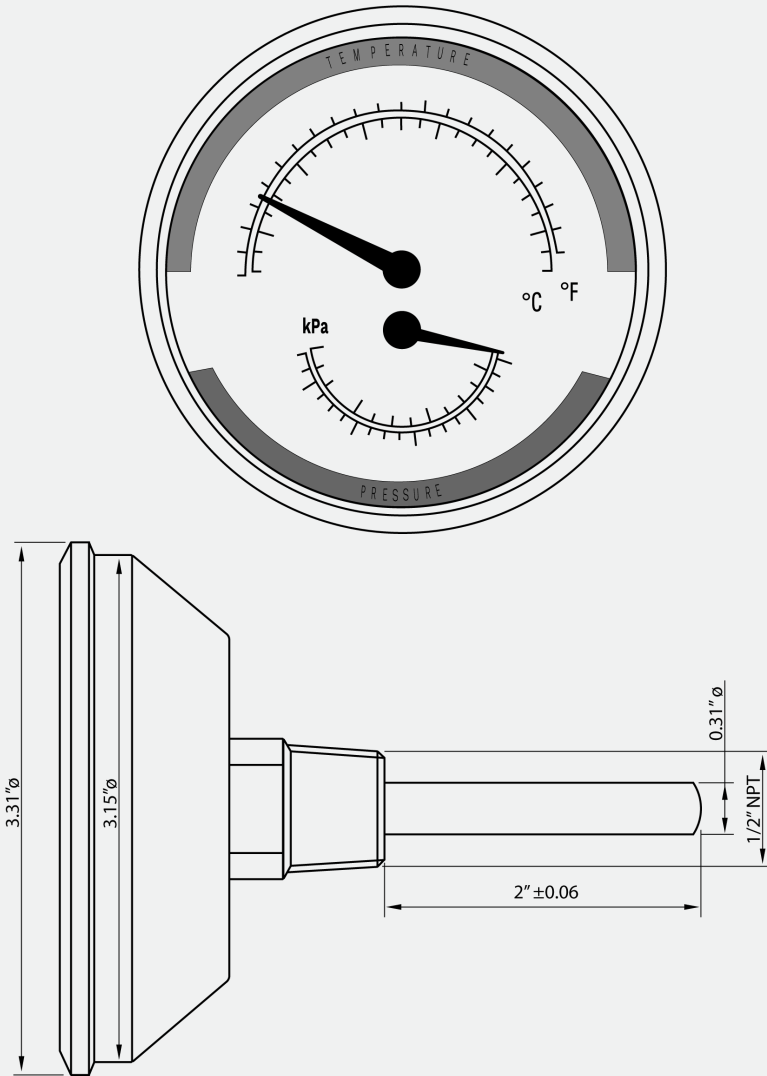
Description

Our vapor thermometers utilize a pure volatile actuating liquid that prevents indicator error due to variations in ambient temperature along the capillary. They are well suited for most situations requiring a remote-read thermometer and can do both very low and very high temperatures.

Specifications

- 3" Dial Diameter
- Standard Adjustable Index Point on Lens Ring
- Standard Black Painted Steel or Stainless-Steel Case
- Optional Bowl-Shaped Case with Center Back Connection
- Polycarbonate or Glass Lens
- Face and Needles can be customized
 - Standard Temperature on top in Red and Pressure on Bottom in Blue on White Dial
 - Other colors available for both markings and Dial
 - Black, White or Red Needle; ask for other options
 - Customize with your logo, color bands, or silver ring on Black Steel
- Tailored Stem and Extension Lengths to meet your specifications
 - Standard Copper, Typically 0.9-2.0 inches long
- Threads: 1/4" or 1/2" NPT
 - Ask for other options
- Socket & Bourden Tube Materials: Standard Brass* or Lead Free Brass. No additional length besides the threads, up to 5 inches including threads
- Temperature Range: Industry Standard 70-320° F/C
 - Contact us for other ranges
- Pressure Range: 0 up to 300 psi. Can do dual scale with Bar, kPa, feet H2O, and others
- Bottom/Low, Center back, or Lower back Connection

Technical Drawings



Available Pressure Ranges*

Pressure Ranges in PSI*	
0 - 50 psi	0 - 160 psi
0 - 60 psi	0 - 200 psi
0 - 75 psi	0 - 225 psi
0 - 90 psi	0 - 250 psi
0 - 100 psi	0 - 300 psi

*Also available in Bar, kPa, feet H₂O
 *Contact for greater ranges than shown