

5" Bimetal Thermometer



Application Fields: Industrial Devices • Heating • Sanitation
Restaurant • Boiler

Description

Our largest standard bimetal, the 5" dial allows for easy readability and plenty of room for a custom logo. Our bimetal thermometers are made from 304 stainless steel, making them perfect for consumer, laboratory, and industrial applications. They can withstand corrosive environments and are hermetically sealed to protect against moisture and dust.

Specifications

- NSF Listed
- Standard External Recalibration Screw
- Variety of mounting Options
- 5" dial size
- Customizable with your logo
- Standard Black/Blue Markings on White Dial Face
- Other colors available
- Black, White, or Red Needle
- Ask us for other Options
- Standard 304 Stainless Steel or 316 Stainless Steel Case
- Polycarbonate or Glass Flat lens
- Center back, Bottom Low, or Adjustable Connection
- Threads: 1/2" or 1/4" NPT
- Standard Φ 0.25" for threads, minimum 1" and up to 24".
- Custom diameters and lengths available
- Thermometer accuracy is +/- 1.5% of range
- Optional liquid (silicone) filled to counteract excessive vibration
- Thermowell options

Mounting Options

Bottom Low



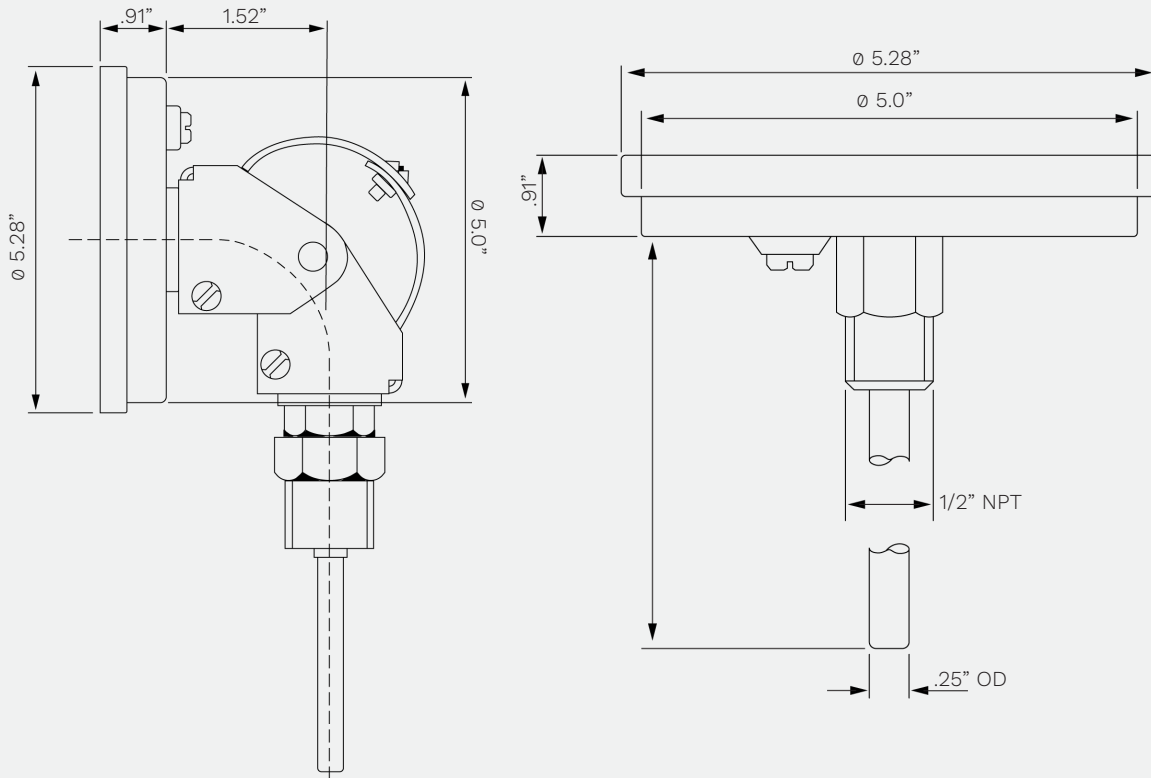
Center Back



Adjustable



Technical Drawings



Available Temperature Ranges*

Range in Fahrenheit	Range in Celsius	Divisions
-40° to 65°	-40° to 20°	2°F, 1°C
-40° to 120°	-40° to 50°	2°F, 1°C
0° to 140°	-20° to 60°	1°F, 0.5°C
0° to 250°	-20° to 120°	2°F, 1°C
20° to 220°	-5° to 110°	2°F, 2°C
25° to 125°	-5° to 50°	1°F, 1°C
30° to 240°	0° to 115°	2°F, 2°C
50° to 300°	10° to 150°	2°F, 1°C
50° to 500°	10° to 260°	5°F, 2°C
50° to 550°	10° to 260°	5°F, 5°C
150° to 750°	65° to 300°	10°F, 5°C
200° to 1000°	100° to 540°	10°F, 5°C

*Contact for greater ranges than shown