

90° Siphon



180° Siphon



Application Fields: Commercial and Residential Steam Boilers • Oil Steam Boilers • Gas-Fired Steam Boilers

Description

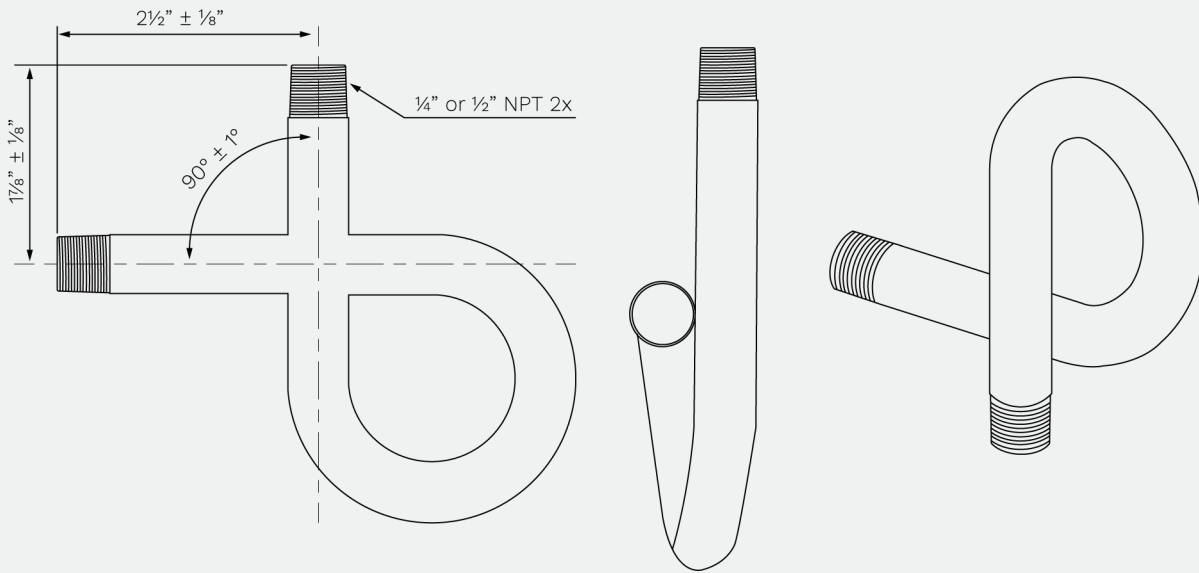
These coil siphons, syphons, or pig tails, depending on where you're from, are designed for steam systems. They are designed for long-term use, and come in 90°, 180°, or other degrees upon request. The wide variety of materials and sizes ensure that we can meet your demand!

Specifications

- Reliable for long-term use
- Available in 90°, 180°, and customizable degrees available upon request
- Available in Carbon Steel, 304 or 316 Stainless Steel Welded, and Seamless Pipe Brass
- Schedule: 40 or 80
- Connection available in 1/4" or 1/2" NPT
- Maximum working pressure will vary based on the size
- Dimensions are customizable to fit your application

Technical Drawings

90° Siphon



180° Siphon

