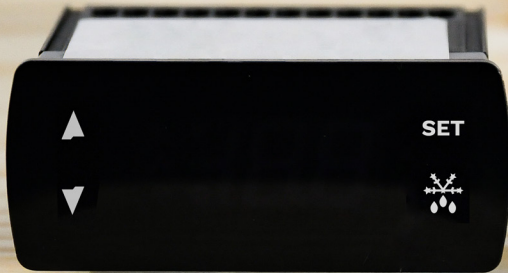


ModMetric C841X



Application Fields: Refrigeration

Description

The ModMetric Controller is designed for refrigeration equipment control. Built of Howe's new flexible architecture, it can be programmed with a wide variety of auxiliary functions. With the ability to spec up to 4 10A relays, the 841X is the most capable and flexible small-formfactor controller on the market. The sleek capacitive touch face brings the look of modernity, designating the ModMetric as what a modern Controller should be.

Specifications

Power Supply

- 12VAC
- 12DC
- 110/120V
- AC 60Hz

Outputs

- Compressor Relay, 10A, SPST
- Defrost Relay, 10A, SPST
- Aux1 Relay, 10A, SPST
- Aux2 Relay, 10A, SPST

Auxiliary Relay Outputs

- Lighting
- Automated Night-Blinds
- Defrost
- Independent Fans Control
- Alarm

Control Range

- -45C to 99C, resolution 1C
- -49F to 185F, resolution 1F

Power Input

1.5VA

Inputs

- 1 Probe Input for Compressor/Ambient/Cabinet/Room
 - Choice of NTC or PT100
- 1 Probe Input for defrost
 - Choice of NTC or PT100
- 1 Digital Input (Active High or Active Low) for:
 - Door Signal
 - Alarm Signal
 - Lights Signal
 - Defrost Signal
- **Optionally:** The digital input port can be used as a 3rd temperature probe.

Connections

- Screw Terminal
- 300V Rated
- 20A Current
- 24-21 AWG
- M5 Screw Size

Operating Range

- -40°C (-40°F) to 85°C (185°F)

Additional Features

Error System

- Controller can recognize error states and take best appropriate action
- Controller can sounds audible alarm, and/or send external signal via Aux Relay
- Controller can display multiple error codes on the screen to notify the user of the error state

Capacitive Touch User Interface

- Easy use of the device with a capacitive touch screen. Removal of physical buttons allows user's to simply press lightly on the screen to input commands

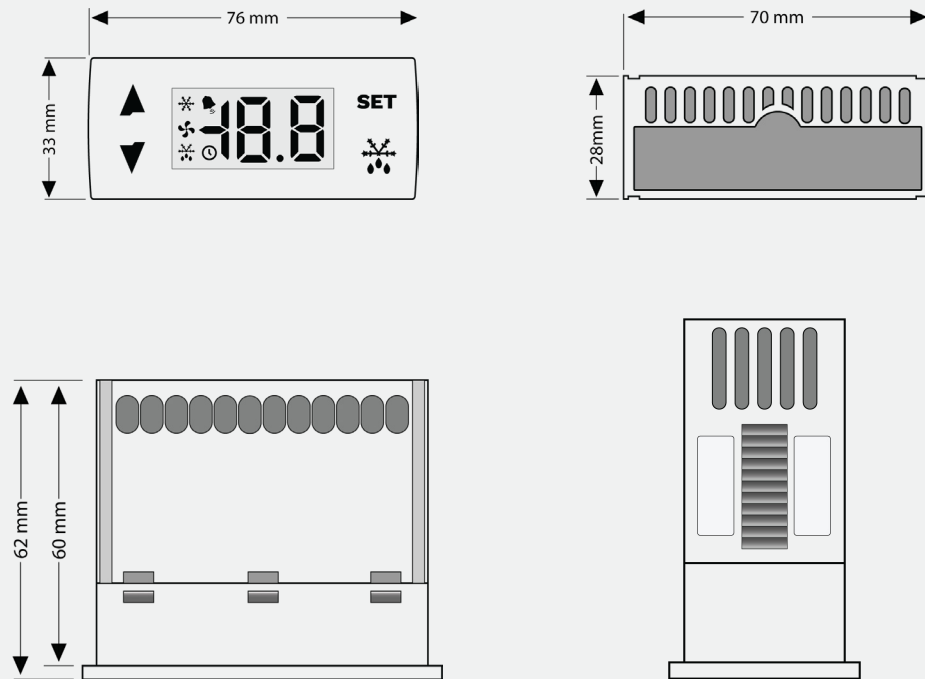
Real Time Clock (RTC)

- RTC can be used to drive certain events to occur at certain times and days of the week. (Ex- Lower Night-Blinds at 10pm each night)
- RTC can be used to store holiday times or other periods of inactivity. The controller can then use this information to save energy.
- RTC can keep track of time and day even when the controller is not receiving power

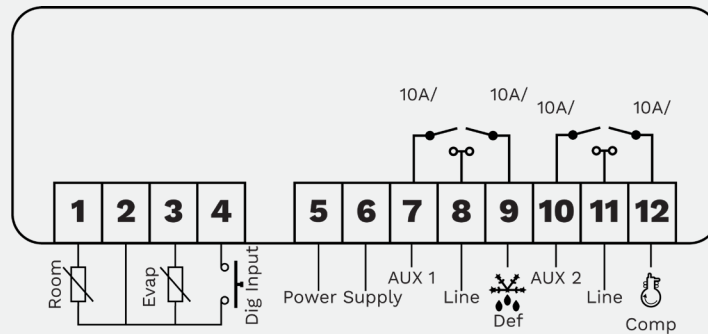
Optional Features

- Public and Privileged Parameter System
- Dual-Bank Parameter System

Technical Drawings



Controller Connections



Controller Front Panel

The front panel of the ModMetric 841X control has four capacitive touch buttons and LED screen for adjusting control function values.

