

150W LED Driver

Sample Product Photo



Features

- Universal AC input range
- Free air convection cooling
- Short circuit, overload, over voltage, and over temperature protections
- 100% full load BurnInTest
- Built in active PFC function, Power factor $\geq 0.95/230VAC$, $PF \geq 0.97/115VAC$, $PF \geq 0.92/277VAC$ at full load
- Efficiency up to 92%
- Electrical Class I

Specifications

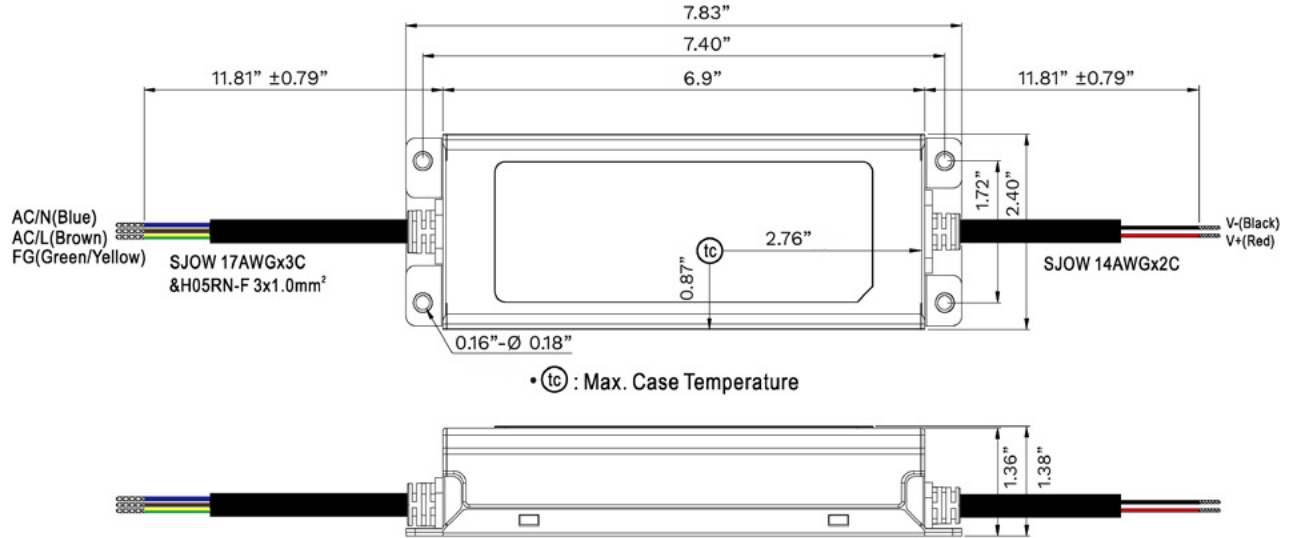
Dimensions	7.83 x 2.40 x 1.38 in (199 x 61 x 35 mm)
Weight	1.76lb (0.8kg)
Rated Power	151W
Rated Current	6.3A
Current Range	0~6.3A
Voltage Range	90~305VAC 135~421VDC 47~63Hz
DC Voltage	24V
Working Temperature	-22°F~+140°F (-30°C~+60°C)
Working Humidity	20%~90% RH, non-condensing
Storage Temperature	-40°F~+185°F, (-40°C~+85°C)
Storage Humidity	10%~95% RH
Case Material	Aluminum

Certifications

IP67

150W LED Driver

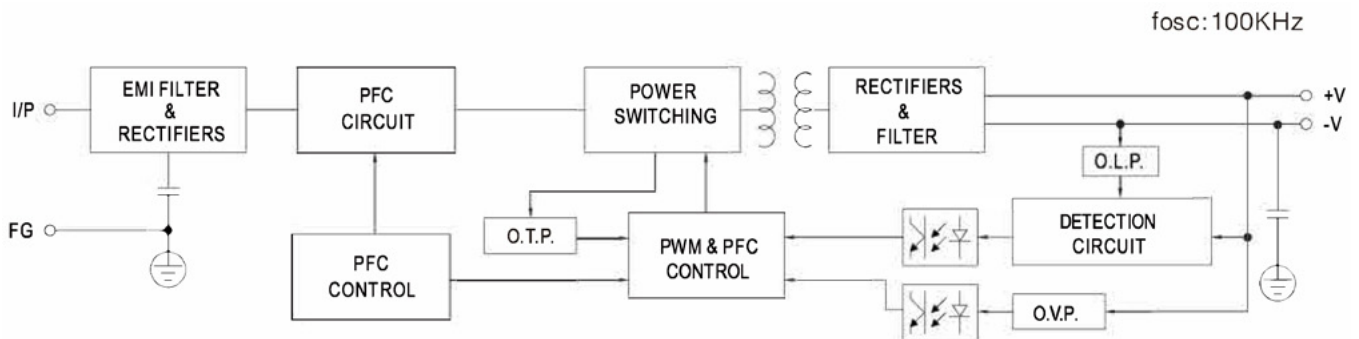
Sample Technical Drawings



Lead-out wire assignment

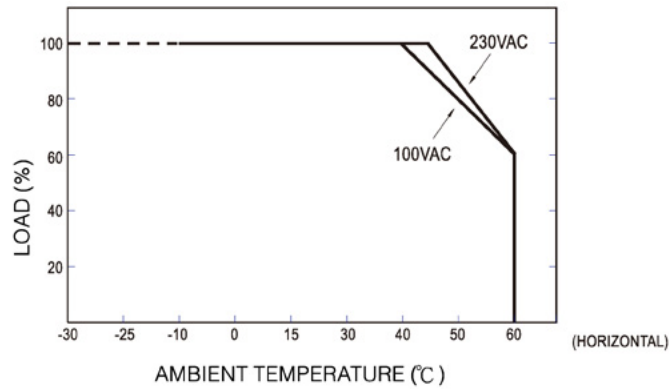
Input(three-core)		Output (two-core)	
Brown	AC/L	Red	DC OUTPUT +V
Blue	AC/N	Black	DC OUTPUT -V
Green/Yellow	FG \perp		

Block Diagram



150W LED Driver

Derating Curve



Static Characteristic

