

CC2022-02 Door Switch

Description

The CC2022-02 is a digital walk-in door switch providing cold storage temperature display as well as lighting control with its front panel boat switch. Elbow bump-able, this boat switch can control lighting, fans, or motors. The CC2022-02 was designed to get the job done with its high brightness LED display and standard American switch dimensions.



Features

- Easy to Read LED Display
- 2 Second Display Refresh Time
- Elbow Bump-able Boat Switch
- Unit conversion °F/°C Mode
- 120V Direct Power
- 1 Year Warranty Period

Specifications

Case Dimensions	2.91" x 4.72" (74mm x 120mm)
Mounting Hole Distance	3.3" (83.5mm)
Power Supply	120VAC
Display	0.52" LED
Display Refresh Time	2 seconds
Temperature Range	-40°F ~ 230°F (-40°C ~ 110°C)
Accuracy	±0.5°F (±0.3°C)
Sensor Length	Up to 49" (15m)
Working Environment	Waterproof Front
Working Temperature	32°F ~ 140°F (0°C ~ 60°C)
Temperature °F/°C Conversion	Back Conversion Switch

CC2022-02 Door Switch

Installation

Step 1: Connect the sensor and voltage line according to the label instructions.

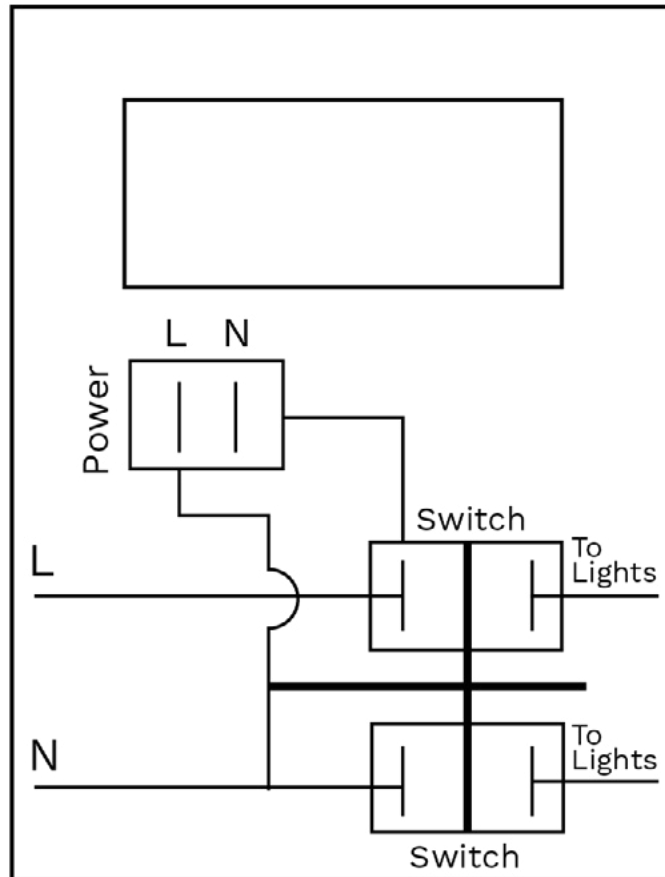
Step 2: Set the desired temperature display unit using the conversion switch. (When short-circuited Fahrenheit will display and when disconnected Celsius will display.)

Step 3: Fix the temperature display to the wire box.

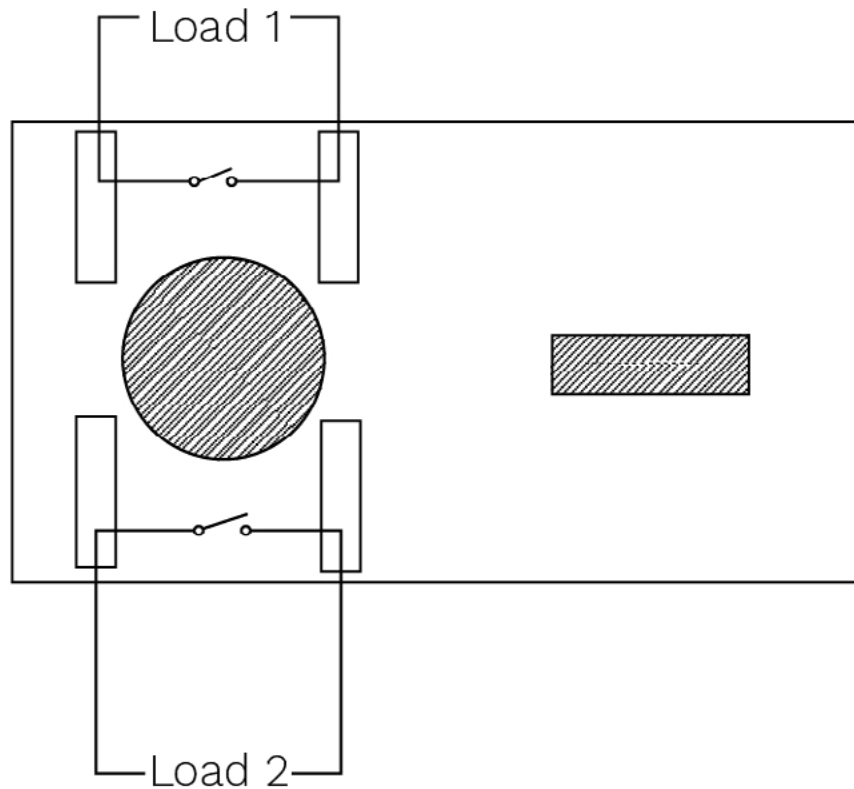
Step 4: Turn on the power.

Note: Before turning on the power, make sure that the power supply voltage is consistent with the voltage required by the thermometer.

Boat Switch Wiring Diagrams



CC2022-02 Door Switch



Alarm Information

- When the sensor is not connected, the temperature display will flash and display “EE”.
- When the displayed temperature is higher than the set high temperature alarm temperature, the temperature display will flash and display the temperature value.
- When the displayed temperature is lower than the set low temperature alarm temperature, the temperature display will flash and display the temperature value.
- Before repair and maintenance the electrical connection must be disconnected.
- Do not open the product casing.

CC2022-02 Door Switch

Technical Drawing

