

CC2022-03 Door Switch

Description

The CC2022-03 is a digital walk-in door switch for temperature display and lighting control in cold storage. Lighting control is based upon the status of its infrared detection switch. When an infrared switch signal is detected, lighting will immediately turn on. If the infrared switch no longer detects signal lighting will continue operation for a delayed period of 10 minutes before turning off. Additionally, a lighting status indicator on the front panel of the CC2022-03 lights up when lighting is on. When lighting is not in operation the indicator light will switch off. The CC2022-03 fits standard American switch dimensions and features a high brightness LED display.



Features

- Easy to Read LED Display
- 2 Second Display Refresh Time
- Infrared Lighting Control
- Front Panel Light Indicator
- 120V Direct Power
- 1 Year Warranty Period

Specifications

Case Dimensions	2.91" x 4.72" (74mm x 120mm)
Mounting Hole Distance	3.3" (83.5mm)
Power Supply	120VAC
Display	0.52" LED
Relay Capacity	10A @ 120VAC
Display Refresh Time	2 seconds
Temperature Range	-40°F ~ 230°F (-40°C ~ 110°C)
Accuracy	±0.5°F (±0.3°C)
Sensor Length	Up to 49" (15m)
Working Environment	Waterproof Front
Working Temperature	32°F ~ 140°F (0°C ~ 60°C)
Temperature °F/°C Conversion	Back Conversion Switch

CC2022-03 Door Switch

Installation

Step 1: Connect the lines according to the wiring diagram.

Step 2: Set the desired temperature display unit using the conversion switch. (When short-circuited Fahrenheit will display and when disconnected Celsius will display.)

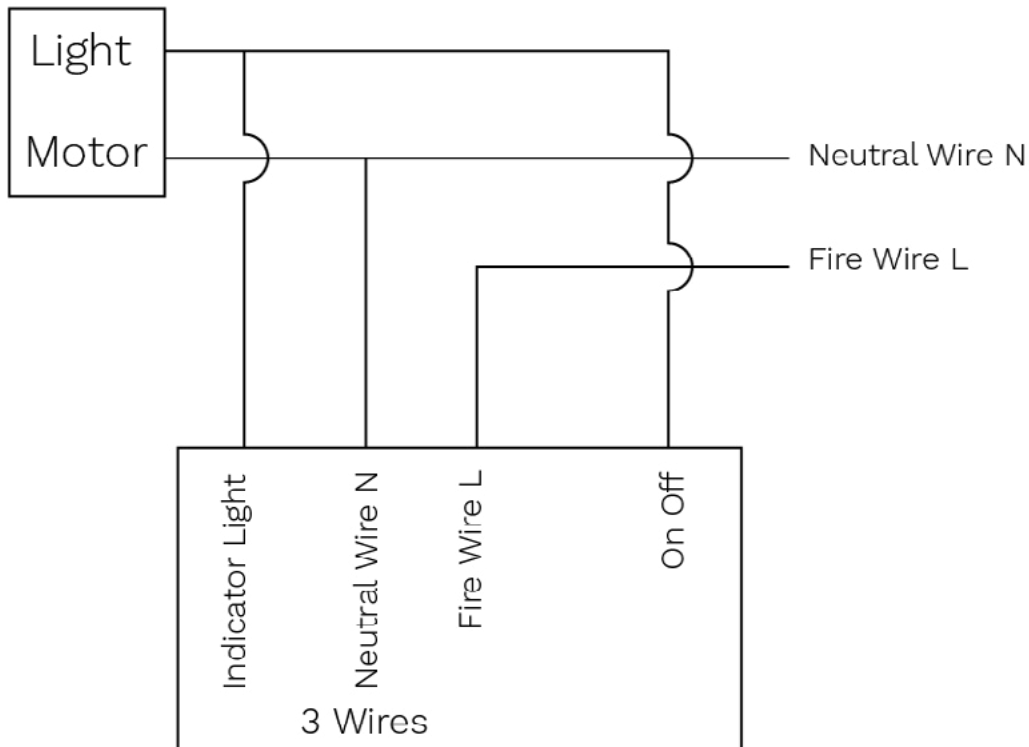
Step 3: Connect the door switch connection line.

Step 4: Fix the temperature display to the wire box.

Step 5: Turn on the power

Note: Before turning on the power, make sure that the power supply voltage is consistent with the voltage required by the thermometer.

Wiring Diagram



CC2022-03 Door Switch

Alarm Information

- When the sensor is not connected, the temperature display will flash and display “EE”.
- When the displayed temperature is higher than the set high temperature alarm temperature, the temperature display will flash and display the temperature value.
- When the displayed temperature is lower than the set low temperature alarm temperature, the temperature display will flash and display the temperature value.
- Before repair and maintenance the electrical connection must be disconnected.
- Do not open the product casing.

CC2022-03 Door Switch

Technical Drawing

