

CC2022-04 Door Switch

Description

The CC2022-04 is a digital walk-in door switch suitable for cold storage needs of temperature display and lighting control. With high and low-temperature alarm settings the CC2022-04 will flash a temperature when the displayed temperature is higher or lower than the set temperature. With touch buttons this temperature display can control devices such as lighting, fans, and motors while also detecting the operational status of these devices. When these devices are in operation, the indicator light of the control button lights up; when not in operation, the indicator light turns off. Additionally the CC2022-04 has a backup battery interface, allowing continuous power from a 9V battery for temperature display and control during power outages. The sleek CC2022-04 design fits standard American switch dimensions making installation of this high brightness LED display door panel easy.



Features

- Easy to Read LED Display
- 2 Second Display Refresh Time
- Backup 9V Battery Option
- 4 Touch Keys
- Unit conversion °F/°C Mode
- 120V Direct Power
- 1 Year Warranty Period

Specifications

Case Dimensions	2.91" x 4.72" (74mm x 120mm)
Mounting Hole Distance	3.3" (83.5mm)
Power Supply (Backup)	120VAC (9V battery)
Display	0.52" LED
Relay Capacity	10A @ 120VAC
Display Refresh Time	2 seconds
Temperature Range	-40°F ~ 230°F (-40°C ~ 110°C)
Accuracy	±0.5°F (±0.3°C)
Sensor Length	Up to 49" (15m)
Working Environment	Waterproof Front
Working Temperature	32°F ~ 140°F (0°C ~ 60°C)
Temperature °F/°C Conversion	Back Conversion Switch

CC2022-04 Door Switch

Installation

Step 1: Connect the lines according to the wiring diagram.

Step 2: Set the desired temperature display unit using the conversion switch.

Step 3: Connect the backup power connection line.

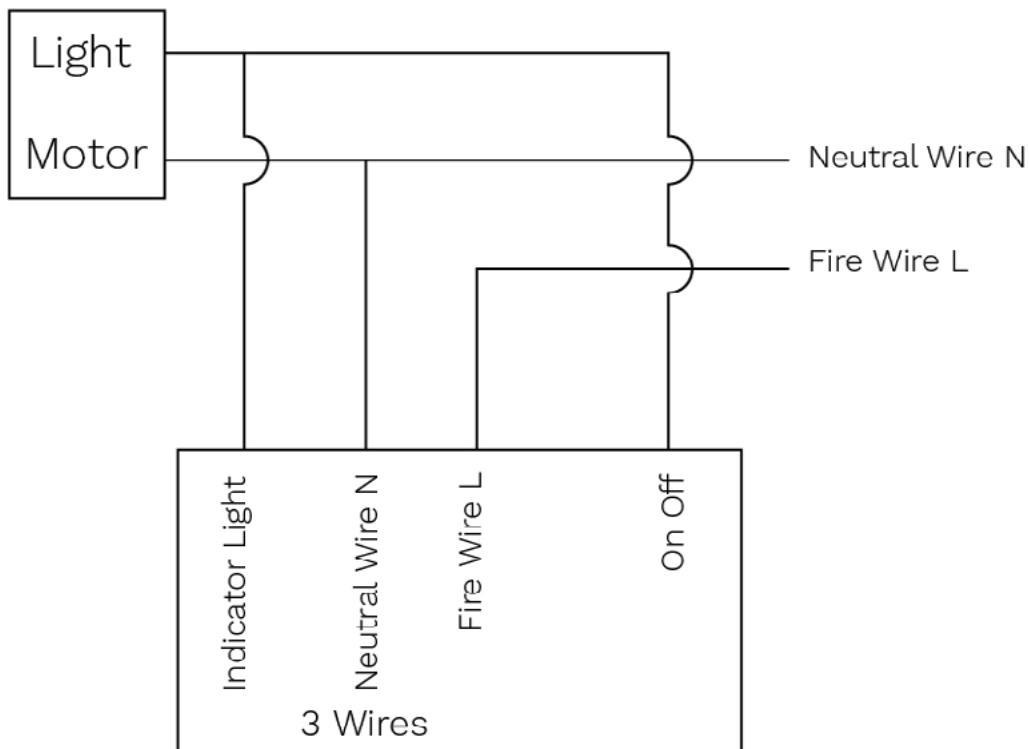
Step 4: Connect the door switch connection line.

Step 5: Fix the temperature display to the wire box.

Step 6: Turn on the power.

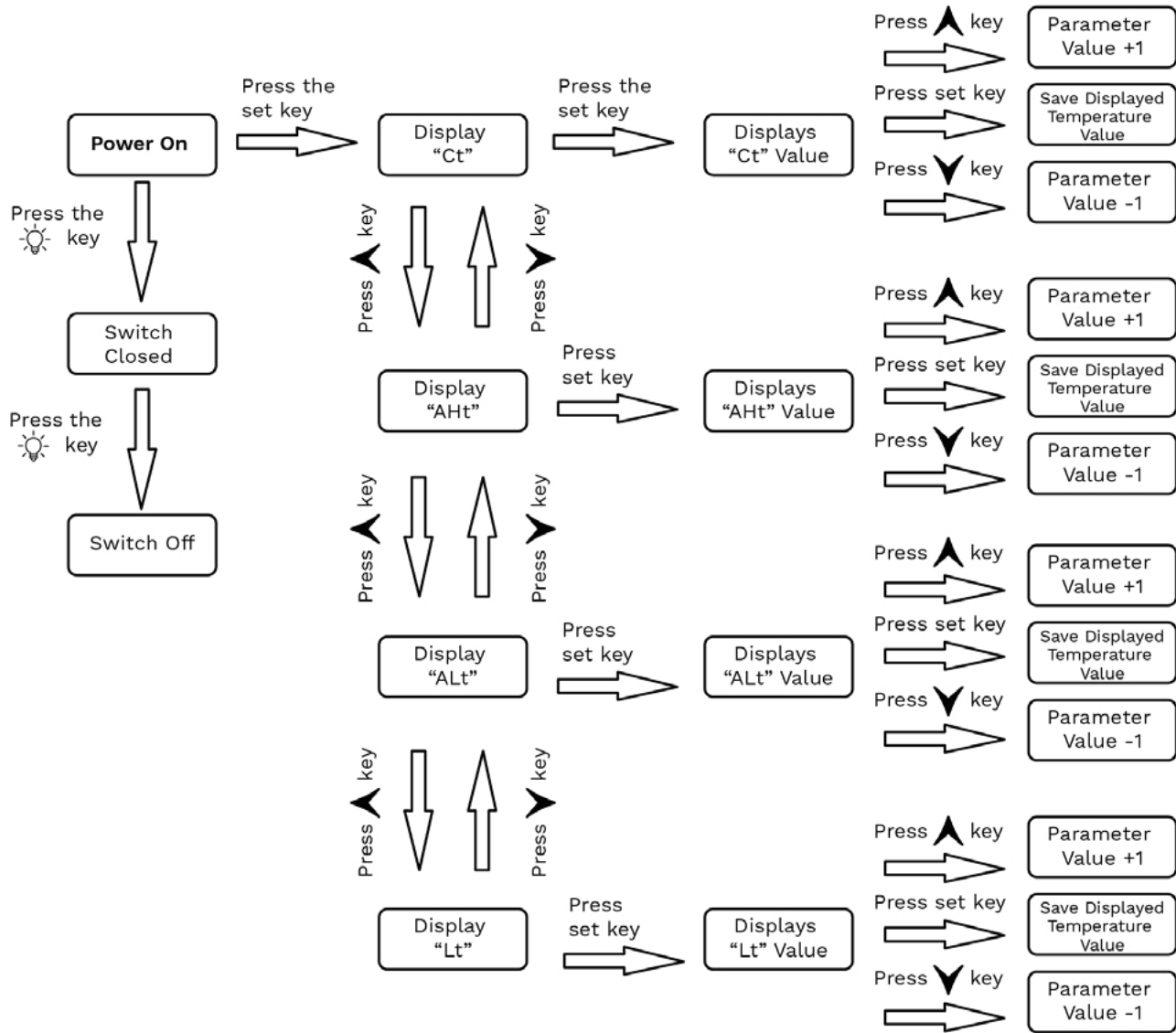
Note: Before turning on the power, make sure that the power supply voltage is consistent with the voltage required by the thermometer.

Wiring Diagram



CC2022-04 Door Switch

Key Operating Instructions



Note 1: "Ct" is the temperature correction value, ranging from -10 to 10°C/°F

Note 2: "AHt" is the high-temperature alarm value; when the displayed temperature exceeds "AHt," the LED flashes to alarm the displayed temperature.

Note 3: "ALt" is the low-temperature alarm value; when the displayed temperature is below "ALt," the LED flashes to alarm the displayed temperature.

Note 4: "Lt" is the delay time for the lighting; the set range is 0 to 100 minutes. When the door is detected to be opened or closed, the lighting will automatically turn off after the "Lt" value in minutes. The default value for "Lt" is 10 minutes.

CC2022-04 Door Switch

Alarm Information

- When the sensor is not connected, the temperature display will flash and display “EE”.
- When the displayed temperature is higher than the set high temperature alarm temperature, the temperature display will flash and display the temperature value.
- When the displayed temperature is lower than the set low temperature alarm temperature, the temperature display will flash and display the temperature value.
- Before repair and maintenance the electrical connection must be disconnected.
- Do not open the product casing.

CC2022-04 Door Switch

Technical Drawing

