

150W LED Driver

IP67 Rated CLASS 1

The 150W LED Driver operates at a high efficiency range with key protective measures. Safely install with display case, spotlight, down, panel lighting, and more across practically any home, commercial, or public application.



Sample Product Photo

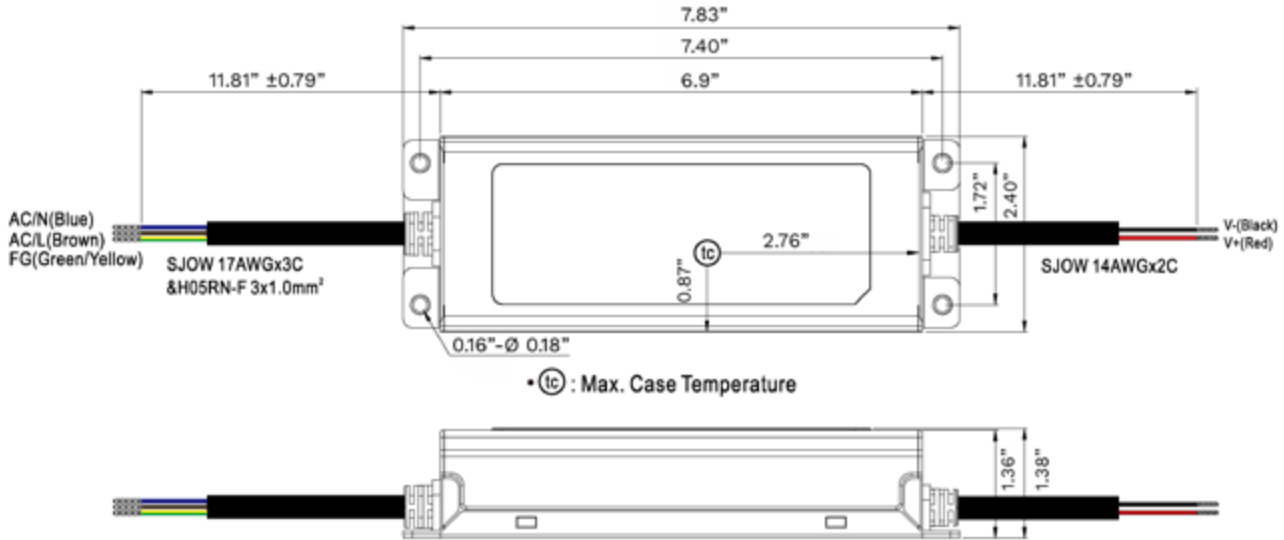
- Efficiency Up To 91%
- Universal AC Input Range
- 100% Full Load BurnInTest
- Free Air Convection Cooling
- Built-In Active PFC Function,
PF ≥ 0.95/230VAC,
PF ≥ 0.97/115VAC,
PF ≥ 0.92/277VAC at Full Load
- Short Circuit, Over Load, Over Voltage and Over Temperature Protections
- Universal AC Input Range

Specifications

Dimensions	7.83”L x 2.40” W x 1.38”H (199 x 61 x 35 mm)
Weight	1.76lb (0.8kg)
Case	Aluminum
Input Voltage Range	90 to 305VAC / 135 to 431VDC, 47 to 63Hz
Output Voltage	24V
Output Current	6.3A
Output Power	151W
Working Temperature	-22°F to 140°F (-30°C to 60°C)
Working Humidity	20% to 90% RH, Non-condensing
Storage Temperature	-40°F to 185°F, (-40°C to 85°C)
Storage Humidity	10% to 95% RH

150W LED Driver

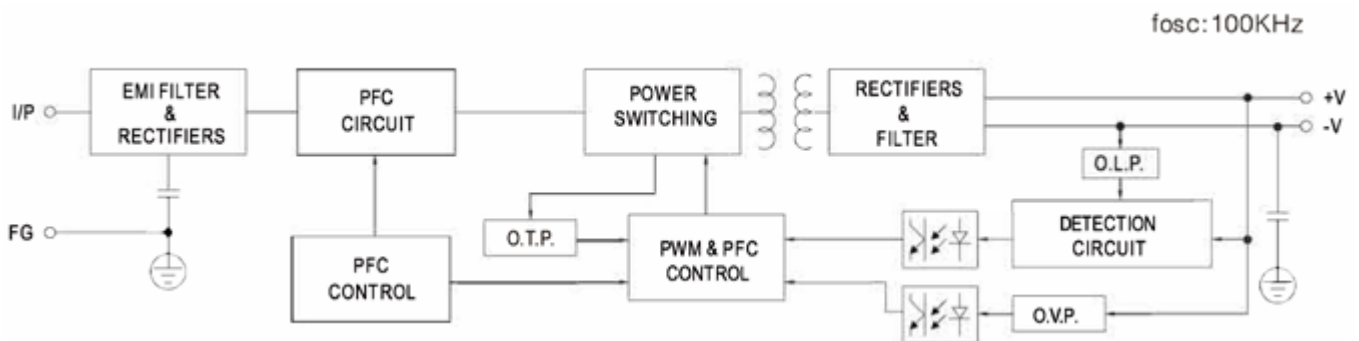
Sample Technical Drawings



Lead-out wire assignment

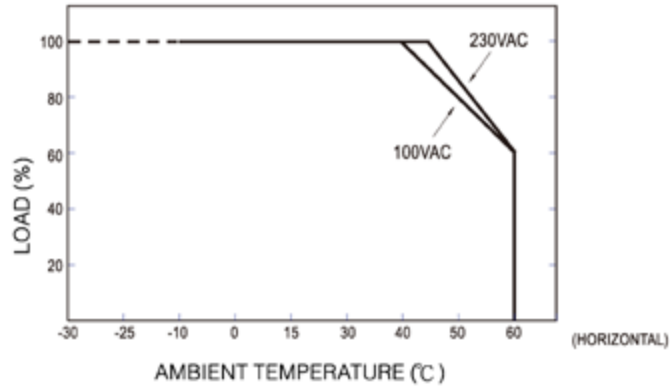
Input(three-core)		Output (two-core)	
Brown	AC/L	Red	DC OUTPUT +V
Blue	AC/N	Black	DC OUTPUT -V
Green/Yellow	FG \perp		

Block Diagram



150W LED Driver

Derating Curve



Static Characteristic

