

320W LED Driver

IP67 Rated CLASS 1

The 320W LED Driver operates at a high efficiency range with key protective measures. Safely install with display case, spotlight, down, panel lighting, and more across practically any home, commercial, or public application.



Sample Product Photo

- Efficiency Up To 92%
- Universal AC Input Range
- 100% Full Load BurnInTest
- Free Air Convection Cooling
- Built-In Active PFC Function, PF \geq 0.95/230VAC, PF \geq 0.98/115VAC at Full Load
- Short Circuit, Over Load, Over Voltage and Over Temperature Protections
- Universal AC Input Range

Specifications

Dimensions 9.61”L x 2.8”W x 1.48”H
(244 x 71 x 37.5 mm)

Weight 2.2lb (1.3kg)

Case Aluminum

Input Voltage Range 90 to 264VAC /
127 to 370VDC,
47 to 63Hz

Output Voltage 24V

Output Current 13.4A

Output Power 321.6W

Working Temperature -22°F to 140°F
(-30°C to 60°C)

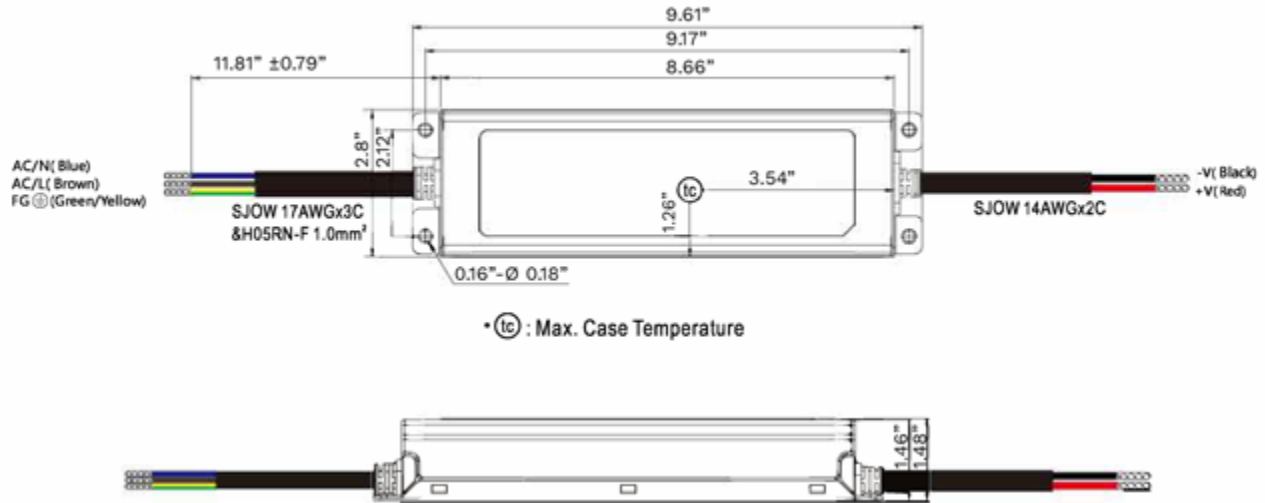
Working Humidity 20% to 90% RH,
Non-condensing

Storage Temperature -40°F to 185°F,
(-40°C to 85°C)

Storage Humidity 10% to 95% RH

320W LED Driver

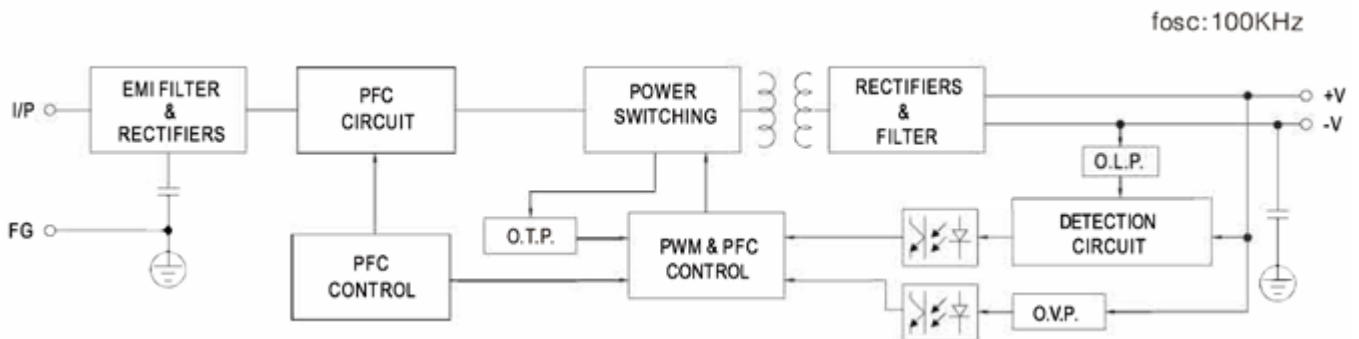
Sample Technical Drawings



Lead-out wire assignment

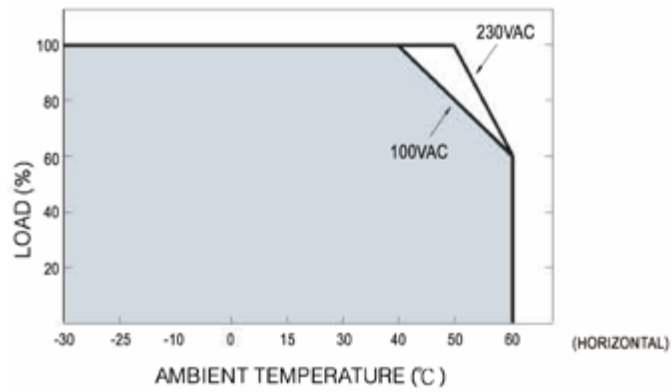
Input(three-core)		Output (two-core)	
Brown	AC/L	Red	DC OUTPUT +V
Blue	AC/N	Black	DC OUTPUT -V
Green/Yellow	FG \perp		

Block Diagram



320W LED Driver

Derating Curve



Static Characteristic

