

ModMetric Controller C831X

IP 65 Rated Face

The ModMetric 831X Controller is designed for refrigeration equipment control. Its large main relay is able to handle almost any modern compressor power requirement. Built on flexible architecture, it can be programmed with a wide variety of auxiliary functions and be adapted to any need of the customer. The sleek capacitive touch face brings the look of modernity, designating the ModMetric 831X as what a modern-day controller should be.



Sample Product Photo

Auxiliary Relay Outputs

- Lighting
- Automated Night-Blinds
- Defrost
- Independent Fans Control
- Alarm

Power Supply

- 12VAC
- 12DC
- 110/120V
- AC 60HZ

Inputs

Power Input	1.5VA
Compressor/Ambient/Cabinet/Room: 1 Probe Input	NTC or PT100
Defrost: 1 Probe Input	NTC or PT100
Active High or Active Low: 1 Digital Input	<ul style="list-style-type: none"> • Door Signal • Alarm Signal • Lights Signal • Defrost Signal Optionally: the digital input port can be used as a third temperature probe.

Outputs

- Compressor Relay, 20A, SPST
- Defrost Relay, 10A, SPST
- Aux1 Relay, 10A, SPST

Connections

- Screw Terminal
- 300V Rated
- 20A Current
- 24-21 AWG
- M5 Screw Size

Control Range

- 45°C to 99°C, resolution 1°C
- 49°F to 185°F, resolution 1°F

Operating Range

- 40°C (-40°F) to 85°C (185°F)

Additional Features

Error System

- Controller can recognize error states and take best appropriate action
- Controller can sound audible alarm, and/or send external signal via Aux Relay
- Controller can display multiple error codes on the screen to notify the user of the error state

Capacitive Touch User Interface

- Easy use of the device with a capacitive touch screen. Removal of physical buttons allows users to simply press lightly on the screen to input the desired commands.

Real Time Clock (RTC)

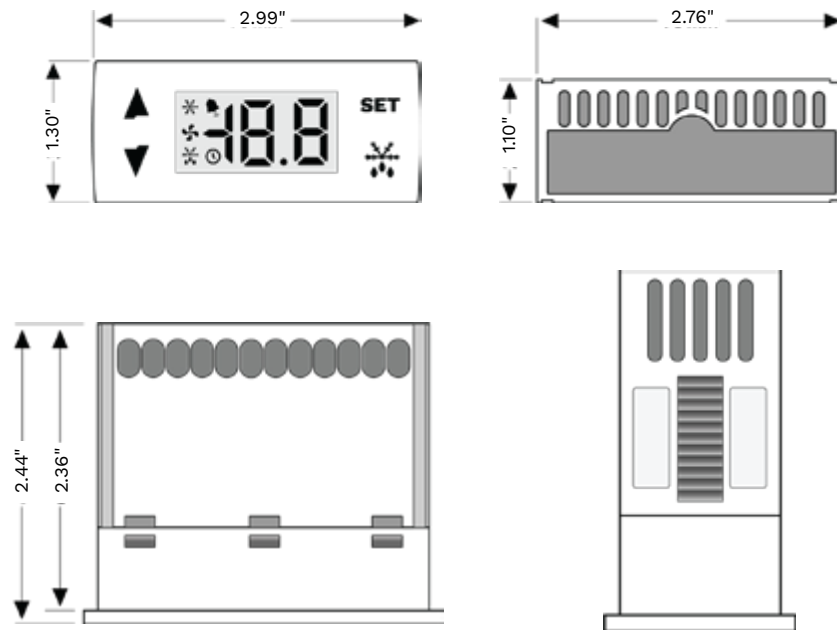
- RTC can be used to drive certain events to occur at certain times and days of the week. (Example: Lower Night-Blinds at 10pm each night)
- RTC can be used to store holiday times or other periods of inactivity. The controller can then use this information to save energy.
- RTC can keep track of time and day even when the controller is not receiving power

Optional Features

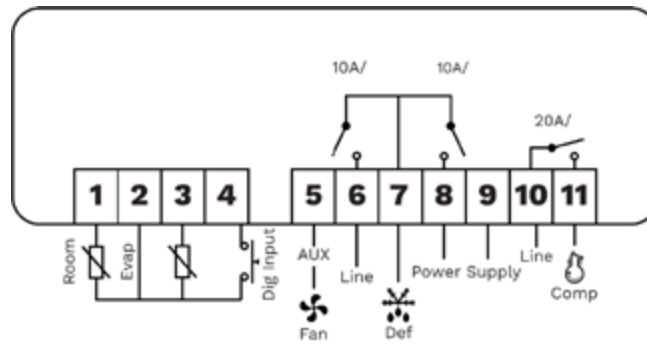
- Public and Privileged Parameter System
- Dual-Bank Parameter System

ModMetric Controller C831X

Sample Technical Drawings



Controller Connections



Controller Front Panel



The front panel of the ModMetric 831X control has four capacitive touch buttons and a LED screen for adjusting the control function values.