

# ModMetric Controller C841X

## IP 65 Rated Face

The ModMetric C841X Controller is designed for refrigeration equipment control. Built on flexible architecture, it can be programmed with a wide variety of auxiliary functions. With the ability to spec up to four 10A relays, the 841X is the most capable and flexible small-form-factor controller on the market. The sleek capacitive touch face brings the look of modernity, designating the ModMetric as what a modern-day controller should be.



Sample Product Photo

## Inputs

|   |  |
|---|--|
| Power Input   | 1.5VA  |
| Compressor/Ambient/<br>Cabinet/Room:<br>1 Probe Input | <b>NTC or PT100</b>  |
| Defrost: 1 Probe Input                                | <b>NTC or PT100</b>  |
| Active High or Active<br>Low: 1 Digital Input         | <ul style="list-style-type: none"><li>• <b>Door Signal</b></li><li>• <b>Alarm Signal</b></li><li>• <b>Lights Signal</b></li><li>• <b>Defrost Signal</b></li></ul> Optionally: the digital input port can be used as a third temperature probe. |

## Auxiliary Relay Outputs

|                          |
|--------------------------|
| Lighting                 |
| Automated Night-Blinds   |
| Defrost                  |
| Independent Fans Control |
| Alarm                    |

## Power Supply

|          |
|----------|
| 12VAC    |
| 12DC     |
| 110/120V |
| AC 60HZ  |

## Outputs

|                             |
|-----------------------------|
| Compressor Relay, 20A, SPST |
| Defrost Relay, 10A, SPST    |
| Aux 1 Relay, 10A, SPST      |
| Aux 2 Relay, 10A, SPST      |

## Connections

|                |
|----------------|
| Screw Terminal |
| 300V Rated     |
| 20A Current    |
| 24-21 AWG      |
| M5 Screw Size  |

## Control Range

|                                |
|--------------------------------|
| -45°C to 99°C, resolution 1°C  |
| -49°F to 185°F, resolution 1°F |

## Operating Range

|                               |
|-------------------------------|
| -40°C (-40°F) to 85°C (185°F) |
|-------------------------------|

## Additional Features

### Error System

- Controller can recognize error states and take best appropriate action
- Controller can sound audible alarm, and/or send external signal via Aux Relay
- Controller can display multiple error codes on the screen to notify the user of the error state

### Capacitive Touch User Interface

- Easy use of the device with a capacitive touch screen. Removal of physical buttons allows users to simply press lightly on the screen to input the desired commands.

### Real Time Clock (RTC)

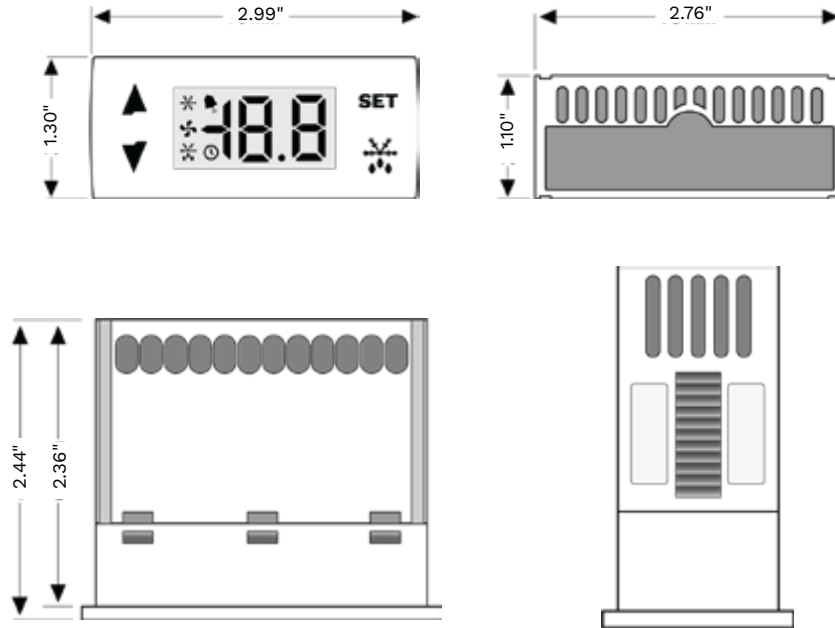
- RTC can be used to drive certain events to occur at certain times and days of the week. (Example: Lower Night-Blinds at 10pm each night)
- RTC can be used to store holiday times or other periods of inactivity. The controller can then use this information to save energy.
- RTC can keep track of time and day even when the controller is not receiving power

### Optional Features

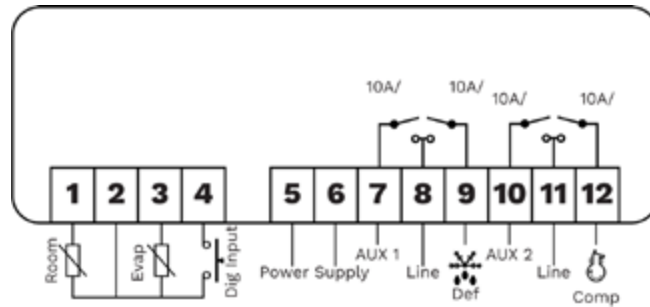
- Public and Privileged Parameter System
- Dual-Bank Parameter System

# ModMetric Controller C841X

## Sample Technical Drawings



## Controller Connections



## Controller Front Panel



The front panel of the ModMetric 841X control has four capacitive touch buttons and a LED screen for adjusting the control function values.