

# 1.5" General Service Gauge

## NSF Listed

Our line of general service gauges provide an affordable and versatile option for use in non-corrosive environments such as air, gas, oil, and water. This 1.5" gauge comes in a variety of pressure ranges and connection types to suit a wide field of applications.



Sample Product Photo

- Optional Silver Ring on Lens
- Custom Logo & Color Band on Dial
- Single, Dual, or Triple Scale Customizable
- Dial Face, Markings, & Needle Customizable
- Application Fields include Compressors, Pumps, Hydraulic & Pneumatic Systems, and Regulators

### Specifications

Dimensions	1.5" Dial Diameter
Case	Black Painted Steel Case (Standard)
Lens	<b>Polycarbonate</b> or <b>Glass</b>
Markings & Dial	<b>Black</b> Markings on White Dial (Single Scale) or <b>Black</b> and <b>Blue</b> Markings on White Dial (Triple & Dual Scale)
Pressure Range	See next page table. <b>0 psi up to 4000 psi</b> or, Vacuum/Compound <b>30" Hg up to 150 psi</b>
Unit Scale (Dual & Triple)	<b>Bar, kPa, ft. H2O, and others</b>
Socket & Bourdon Tube	<b>Brass</b> <sup>^</sup> (Standard) or <b>Lead-Free Brass</b>

<sup>^</sup>Pressure gauges with Brass Components will have a Proposition 65 Warning Label for lead content.

### Needle Options

Red

Black (Standard)

White

### Connection Options

Center Back

Bottom Low

### Thread Options

1/8" NPT

1/4" NPT

With Optional Restrictor

### Mounting Options

Front Flange

Rear Flange

U Clamp

# 1.5" General Service Gauge

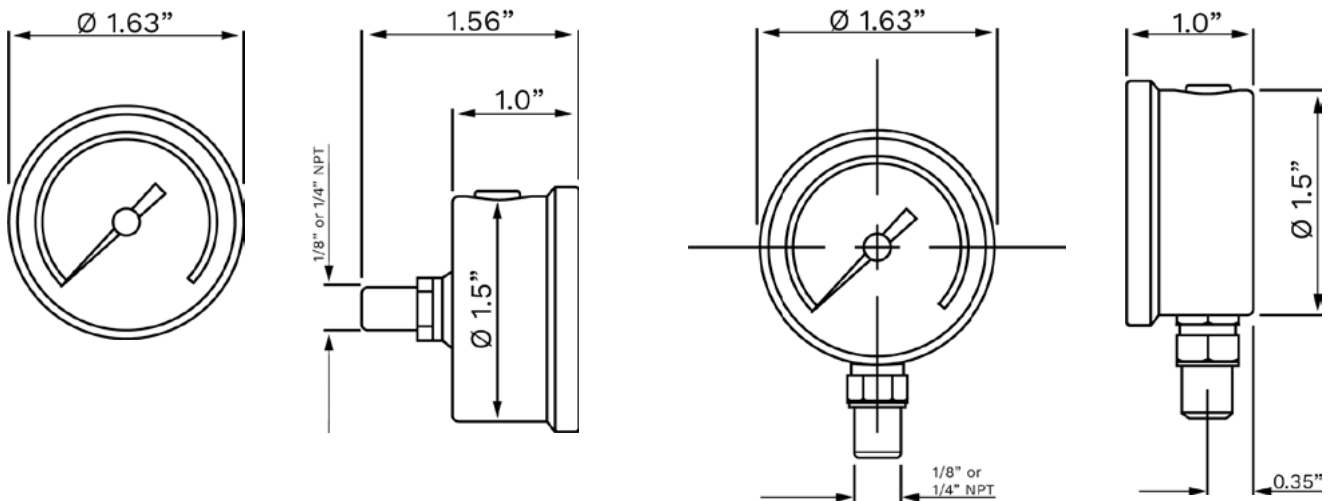
## Available Pressure Ranges\*†

Vacuum/Compound Ranges in HG‡	Pressure Ranges in PSI	
30"Hg - 0 psi	0 to 15 psi	0 to 400 psi
30"Hg - 15 psi	0 to 30 psi	0 to 600 psi
30"Hg - 30 psi	0 to 60 psi	0 to 1000 psi
30"Hg - 60 psi	0 to 100 psi	0 to 1500 psi
30"Hg - 150 psi	0 to 160 psi	0 to 2000 psi
	0 to 200 psi	0 to 3000 psi
*Also available in cmHG	0 to 300 psi	0 to 4000 psi

\*Contact for greater ranges than shown.

†Dual/Triple scale also available in Bar, kPa, ft. H2O, etc.

## Sample Technical Drawings



Center Back

Bottom Low