

1.5" Industrial Gauge

NSF Listed

Our industrial pressure gauges are designed with the demands of industry in mind. The standard 304 stainless steel cases are durable and can function in corrosive ambient conditions. The 1.5" dial size allows for tight applications and the option to liquid-fill the case allows for withstanding vibrating placements.



Sample Product Photo

- Available Dry or Liquid-Filled Case
- Custom Logo & Color Band on Dial
- Single, Dual, or Triple Scale Customizable
- Dial Face, Markings, & Needle Customizable
- Application Fields include Hydraulics, Chemical Manufacturing, Outdoor Applications, and Heavy Industries

Specifications

Dimensions	1.5" Dial Diameter
Case	SUS 304 (Standard) or SUS 316
Lens	Polycarbonate or Glass
Markings & Dial	Black Markings on White Dial (Single Scale) or Black and Blue Markings on White Dial (Dual & Triple Scale)
Needle	Black (Standard), Red , or White
Pressure Range	See next page table. 0 psi up to 4000 psi or, Vacuum/Compound 30" Hg up to 150 psi
Unit Scale (Dual & Triple)	Bar, kPa, ft. H2O, and others

Connection Options

- Center Back
- Bottom Low

Thread Options

- 1/8" NPT with Restrictor
- 1/4" NPT with Restrictor

Mounting Options

- Front Flange
- Rear Flange
- U Clamp

Socket & Bourdon Tube Options

- Brass[^] (Standard)
- Lead Free Brass
- Stainless Steel

[^]Pressure gauges with Brass Components will have a Proposition 65 Warning Label for lead content.

1.5" Industrial Gauge

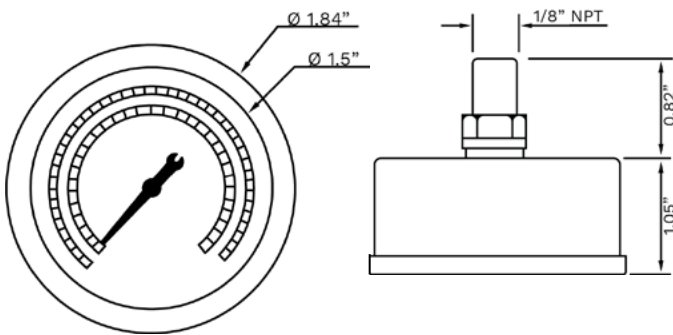
Available Pressure Ranges*†

Vacuum/Compound Ranges in HG‡	Pressure Ranges in PSI	
30"Hg - 0 psi	0 to 15 psi	0 to 400 psi
30"Hg - 15 psi	0 to 30 psi	0 to 600 psi
30"Hg - 30 psi	0 to 60 psi	0 to 1000 psi
30"Hg - 60 psi	0 to 100 psi	0 to 1500 psi
30"Hg - 150 psi	0 to 160 psi	0 to 2000 psi
	0 to 200 psi	0 to 3000 psi
*Also available in cmHG	0 to 300 psi	0 to 4000 psi

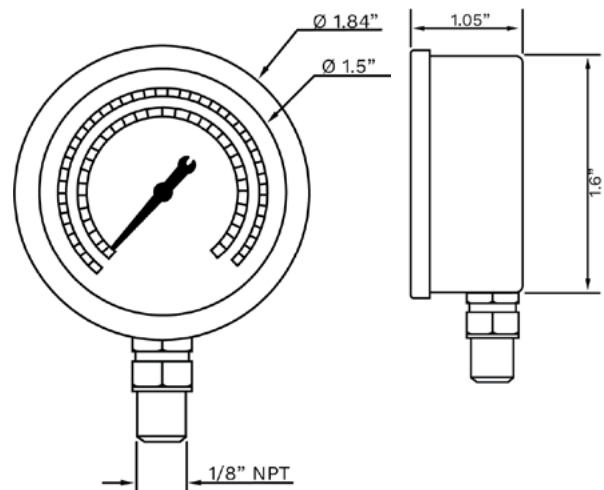
*Contact for greater ranges than shown.

†Dual/Triple scale also available in Bar, kPa, ft. H₂O, etc.

Sample Technical Drawings



Center Back



Bottom Low