

4" Steam Gauge

Our steam gauges are specifically designed to withstand the rigors of boiler applications. Made with a double internal siphon and pure brass parts, this 4" gauge is a dependable, corrosion-resistant solution for tough applications.



Sample Product Photo

- Double Internal Siphon
- Custom Logo & Color Band on Dial
- Single, Dual, or Triple Scale Customizable
- Dial Face, Markings, & Needle Customizable
- Application Fields include Boiler and Industrial & Residential

Specifications

Dimensions	4" Dial Diameter
Case	Black Painted Steel Case (Standard)
Lens	Polycarbonate or Glass
Markings & Dial	Black Markings on White Dial (Single Scale) or Black and Blue Markings on White Dial (Dual & Triple Scale)
Pressure Range	See next page table. 0 psi up to 4000 psi or, Vacuum/Compound 30" Hg up to 150 psi
Unit Scale (Dual & Triple)	Bar, kPa, ft. H2O, and others
Socket & Bourdon Tube	Brass[^] (Standard) or Lead-Free Brass

[^]Pressure gauges with Brass Components will have a Proposition 65 Warning Label for lead content.

Needle Options

Red

Black (Standard)

White

Connection Options

Center Back

Bottom Low

Thread Options

1/8" NPT with Restrictor

1/4" NPT with Restrictor

1/2" NPT with Restrictor

Mounting Options

Front Flange

Rear Flange

U Clamp

4" Steam Gauge

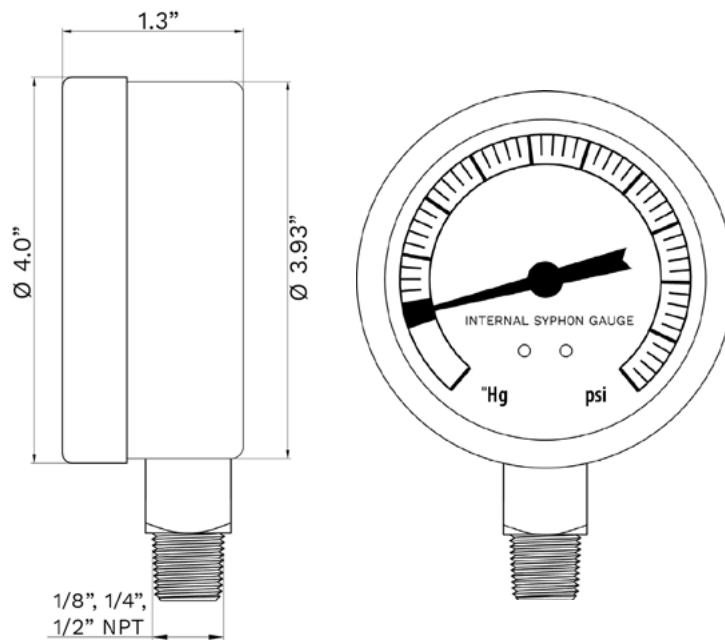
Available Pressure Ranges*†

Vacuum/Compound Ranges in HG‡	Pressure Ranges in PSI	
30"Hg - 0 psi	0 to 15 psi	0 to 400 psi
30"Hg - 15 psi	0 to 30 psi	0 to 600 psi
30"Hg - 30 psi	0 to 60 psi	0 to 1000 psi
30"Hg - 60 psi	0 to 100 psi	0 to 1500 psi
30"Hg - 150 psi	0 to 160 psi	0 to 2000 psi
	0 to 200 psi	0 to 3000 psi
*Also available in cmHG	0 to 300 psi	0 to 4000 psi

*Contact for greater ranges than shown.

†Dual/Triple scale also available in Bar, kPa, ft. H2O, etc.

Sample Technical Drawings



Bottom Low